

V2 Side Panel Lock Cover Installation

Installation is quick. Use the figure below as a reference for magnet mount locations.



1. Hold the lock in place or tape it from the outside while removing the screw. Simply unscrew the bracket holding the lock inside the camper.

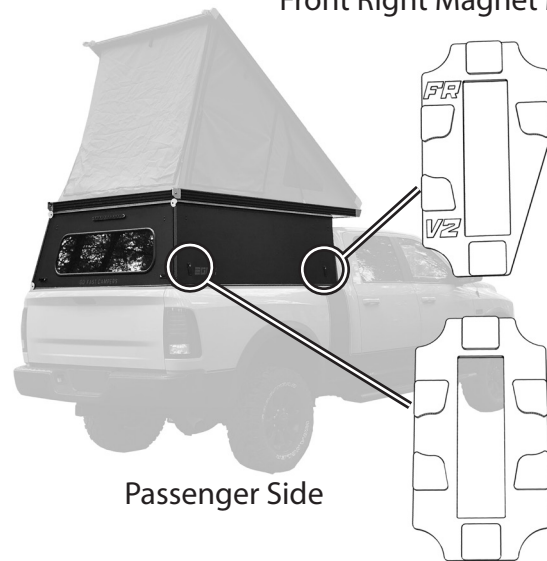
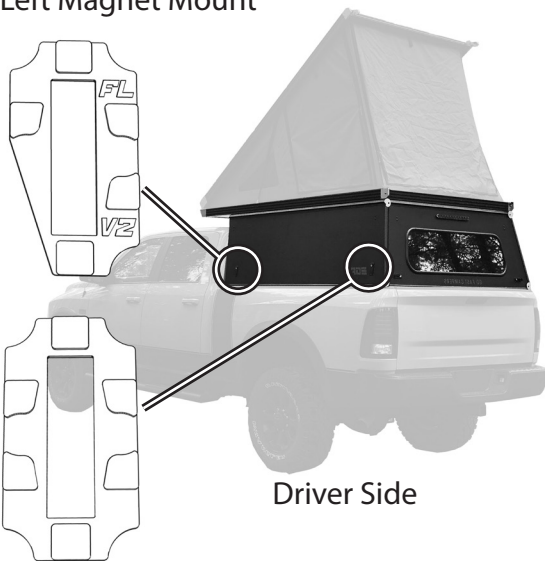
2. Place the magnetic mount over the lock with the magnet bumps facing the inside of your camper.

3. Screw the bracket back onto the lock and the magnetic mount should now be held in place.



Front Left Magnet Mount

Front Right Magnet Mount



Driver Side

Passenger Side

Standard Magnet Mount

Standard Magnet Mount

Note: All lock covers come with 6 magnets and are universal to any magnet mount position on your camper.